



800.909.4875  
812.867.0848 fax  
[Sales@HCI-LED.com](mailto:Sales@HCI-LED.com)

# DATASHEET

## Polaris Series

2835SMD HCI LED Modules

Perfectly balanced for a brilliant white



### Features

Powered by the 2835 Surface Mounted Diode chip, the Polaris Series is designed to produce the purest white with the highest luminous efficiency. Constructed with a sleek injection-molded ABS plastic housing around an aluminum PCB, the P2072160BW was created to deliver the highest color consistency and best performance available on the market. Double-sided 3M adhesive tape on the back of the modules complement

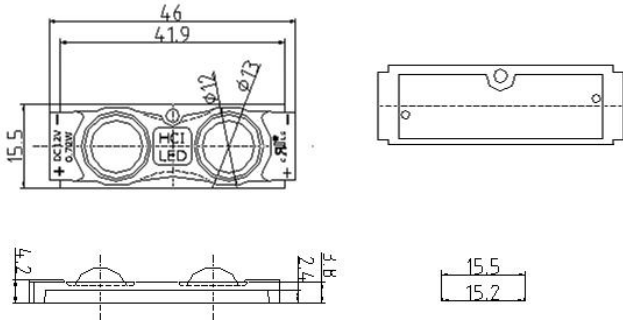
the screw-mounts for fast and easy installation.

### Specifications

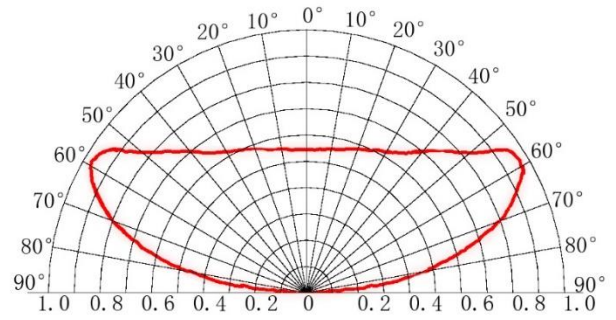
	Model Number	P2072160BW
<b>Physical</b>	LED Chips per Module	2
	LED Modules per Foot	2
	LED Modules per String	20
	Strings per Package	5
	Dimensions (L x W x H)	1.85" x 0.59" x 0.16"
	Color	Brilliant White
	Color Temperature (Kelvin)	6500 (±4%)
	Operating Temperature (°F)	-4 – 140° F
	Storage Temperature (°F)	-13 – 150° F
	Viewing Angle	160°
<b>Electrical</b>	Forward Voltage	12V
	Forward Current	70mA
	Power Consumption	0.72W
	Driving Method	Constant Current
<b>Output</b>	Lumens per Module	69
	Lumens per Foot	138
<b>Safety</b>	Certification	UL, CE, RoHS
	Ingress Grade	IP65
	Warranty	7 Years <sup>1</sup>
	<sup>1</sup> Warranty may be extended if used with HCI LED Power Supply. See website for details.	



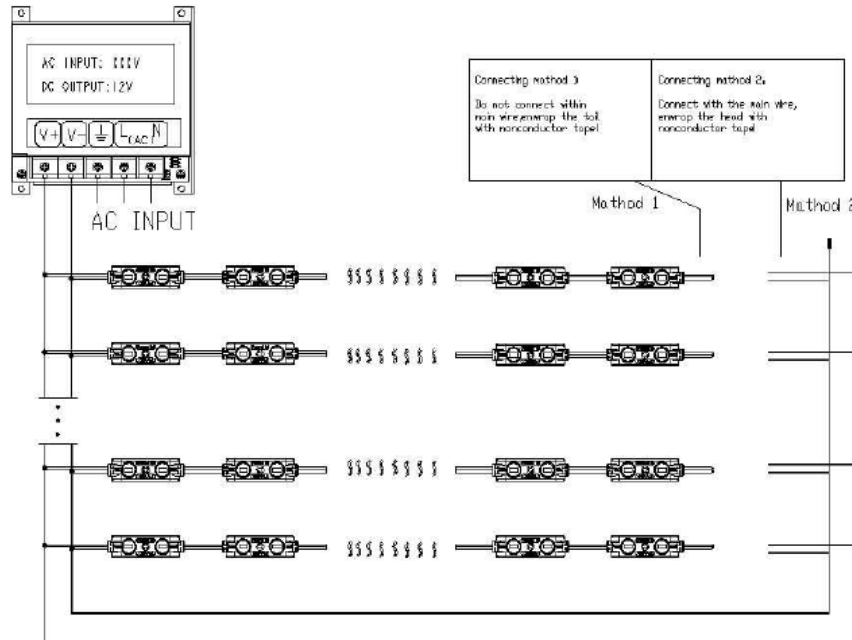
## Dimensions



## Light Dispersion



## Wiring



## Packaging

