



800.909.HUSK (4875)  
812.867.0848 fax  
[Sales@HCI-LED.com](mailto:Sales@HCI-LED.com)

# DATASHEET

## Altair Series

2835SMD HCI LED Modules

Perfectly balanced for warm white



### Features

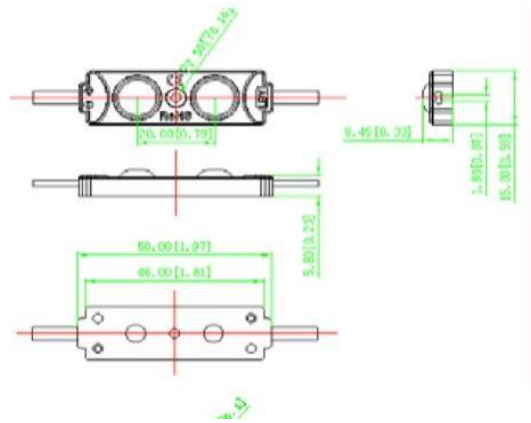
Powered by the 2835 Surface Mounted Diode chip, the Altair Series is designed to produce a consistent warm white light with good luminous efficiency. Constructed with an injection-molded PVC plastic housing around an aluminum PCB, the A2072160WW was created to deliver a dependable, consistent, quality product at an economical price point. Perforated double-sided 3M adhesive tape on the back of the modules complement the screw-mounts for fast and easy installation.

### Specifications

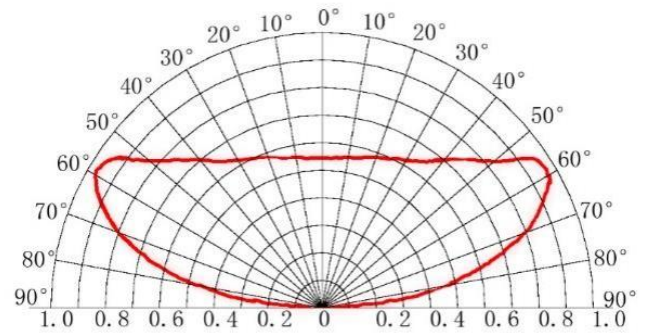
	Model Number	A2072160WW
<b>Physical</b>	LED Chips per Module	2
	LED Modules per Foot	2
	LED Modules per String	20
	Strings per Package	5
	Dimensions (L x W x H)	2.08" x 0.59" x 0.29"
	Color	Warm White
	Color Temperature (Kelvin)	5,000 (±4%)
	Operating Temperature (°F)	-13 – 140° F
	Storage Temperature (°F)	-13 – 150° F
	Viewing Angle	160°
<b>Electrical</b>	Forward Voltage	12V
	Forward Current	60mA
	Power Consumption	0.72W
<b>Output</b>	Lumens per Module	44
	Lumens per Foot	88
<b>Safety</b>	Certification	UL, CE, RoHS
	Ingress Grade	IP65
	Warranty	5 Years <sup>1</sup>
	<sup>1</sup> Warranty may be extended if used with HCI LED Power Supply. See website for details.	



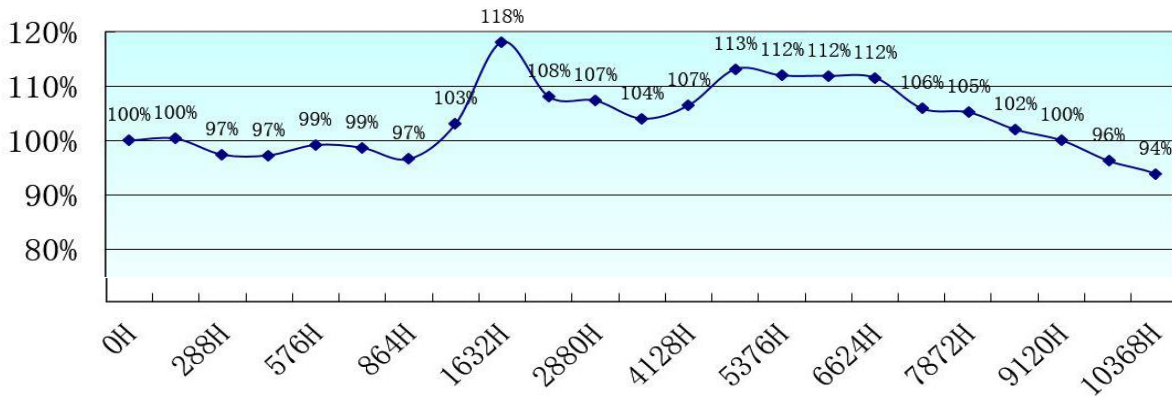
## Dimensions



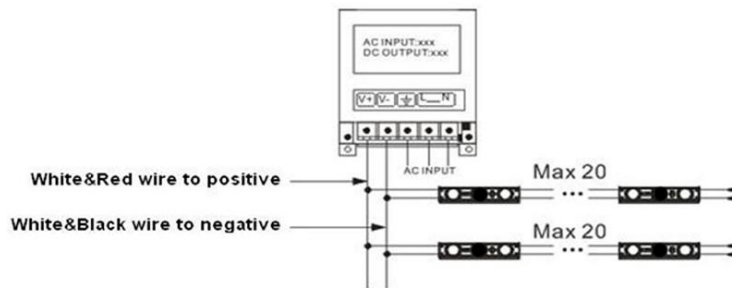
## Light Dispersion



## Light Degradation



## Wiring



## Packaging



20 LED modules in a String



5 Strings in a Package



15 Packages in a Carton